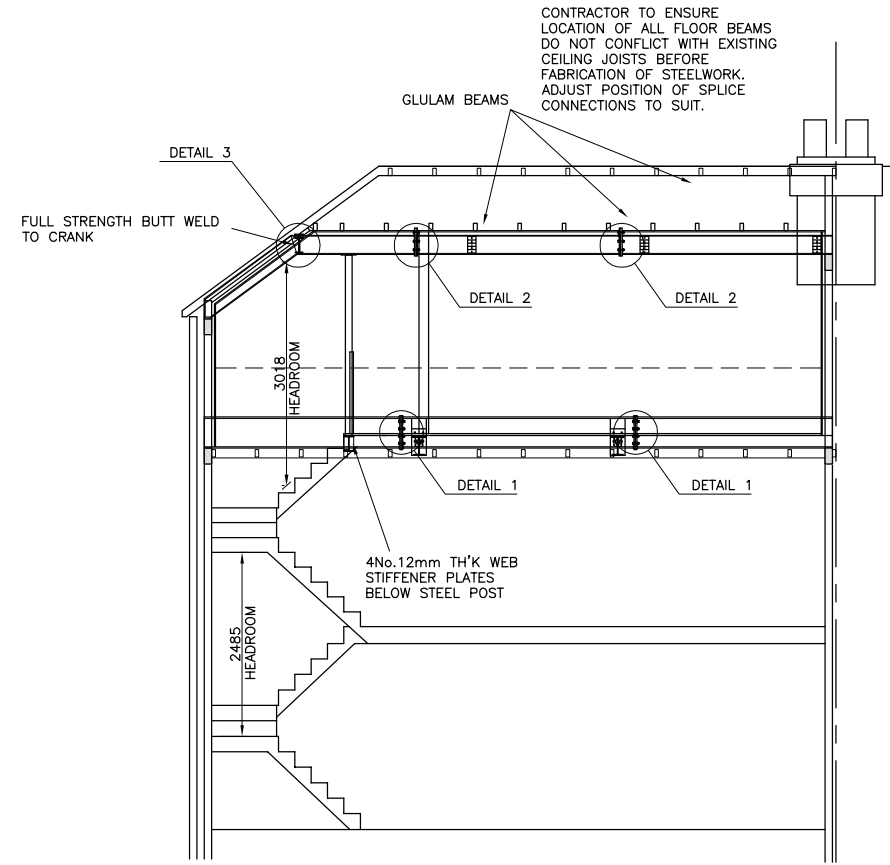
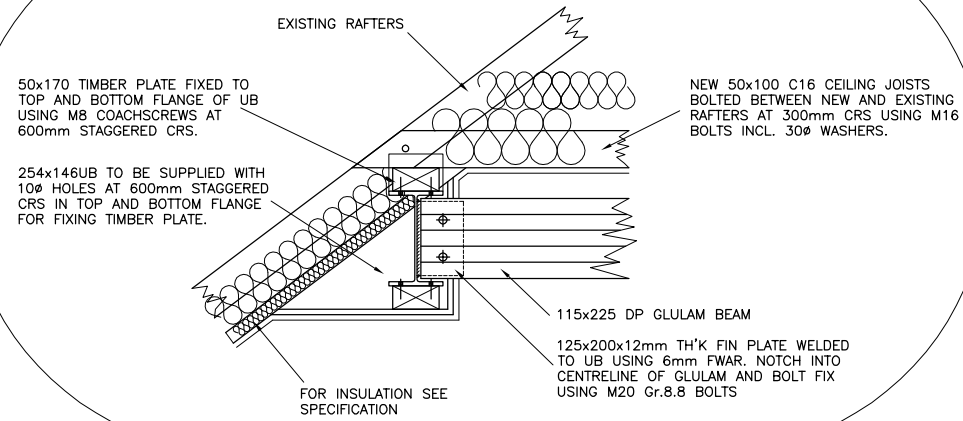


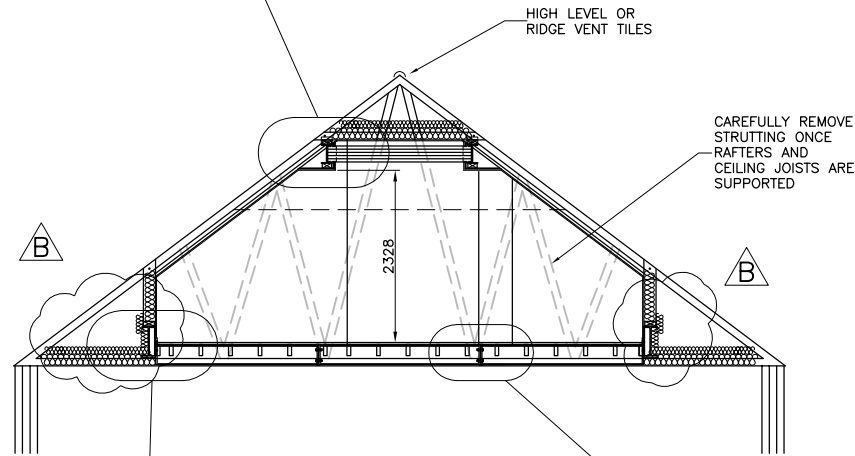
DO NOT SCALE

NOTES

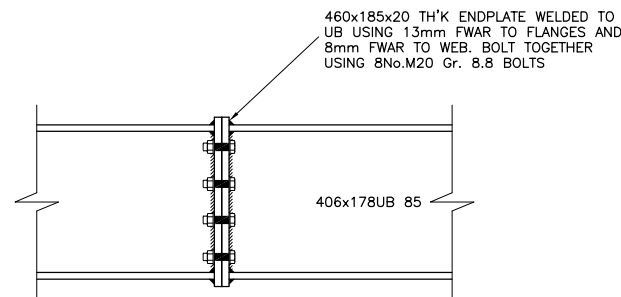
CONTRACTOR TO ENSURE LOCATION OF ALL FLOOR BEAMS DO NOT CONFLICT WITH EXISTING CEILING JOISTS BEFORE FABRICATION OF STEELWORK. ADJUST POSITION OF SPLICE CONNECTIONS TO SUIT.



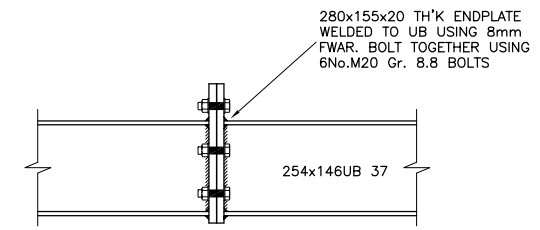
SECTION A-A  
Scale 1:50



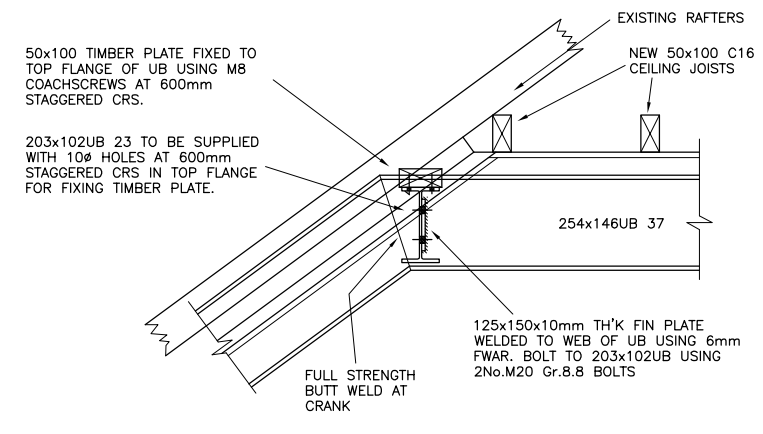
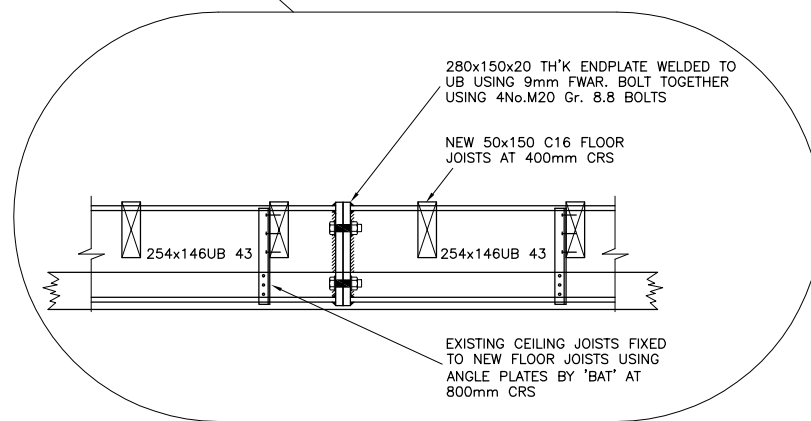
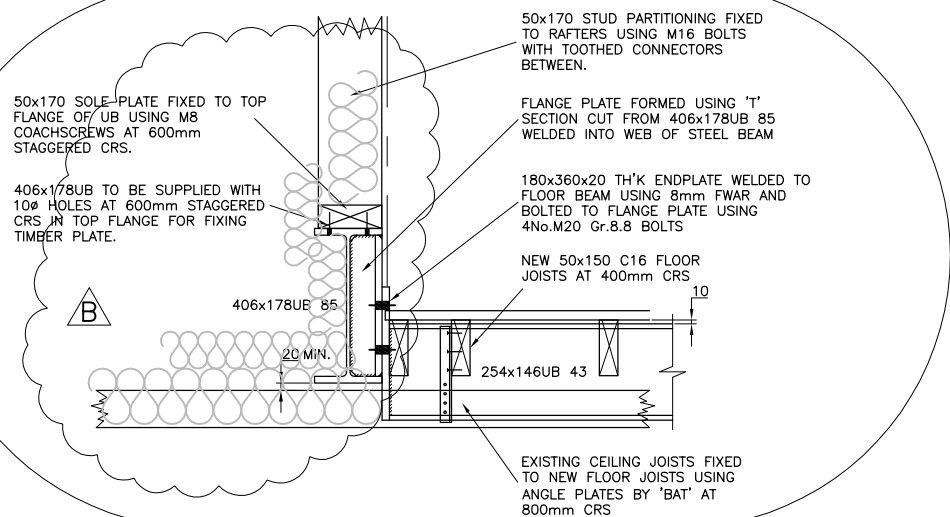
SECTION B-B  
Scale 1:50



DETAIL 1 - TYPICAL SPLICE CONNECTION  
Scale 1:10



DETAIL 2 - TYPICAL SPLICE CONNECTION  
Scale 1:10



DETAIL 3  
Scale 1:10

REFERENCE DRAWINGS

REV	DATE	REVISION	OR	REVIEW
B	FEB 09	INC. BLD'G CONTROL COMMENTS	MN	
A	DEC 08	ISSUE FOR BUILDING REGS	MN	



client	
project	
title	
scale	1:50 1:10
date	NOV 08
originator	MN
reviewed by	
drawing number	
rev	

A1 DRAWING

ORIGINAL SCALE 0-100mm