

DO NOT SCALE

NOTES

**LEGEND**

- BEAM AND BLOCK FLOOR
- DENSE CONCRETE BLOCKS
- LIGHTWEIGHT BLOCKWORK
- FACING BRICKWORK TO MATCH EXISTING
- EXISTING WALLS TO BE REMOVED
- SMOKE DETECTOR
- TELESCOPIC AIRBRICK

REFERENCE DRAWINGS

REV	DATE	REVISION	OR REVIEW
B	JUL 09	BUILDING RES ISSUE	MM
A	MAY 09	BUILDING RES ISSUE	MM

client

project

title

**PROPOSED EXTENSION FOUNDATION, DRAINAGE AND GROUND FLOOR**

scale AS SHOWN

date MAY 09

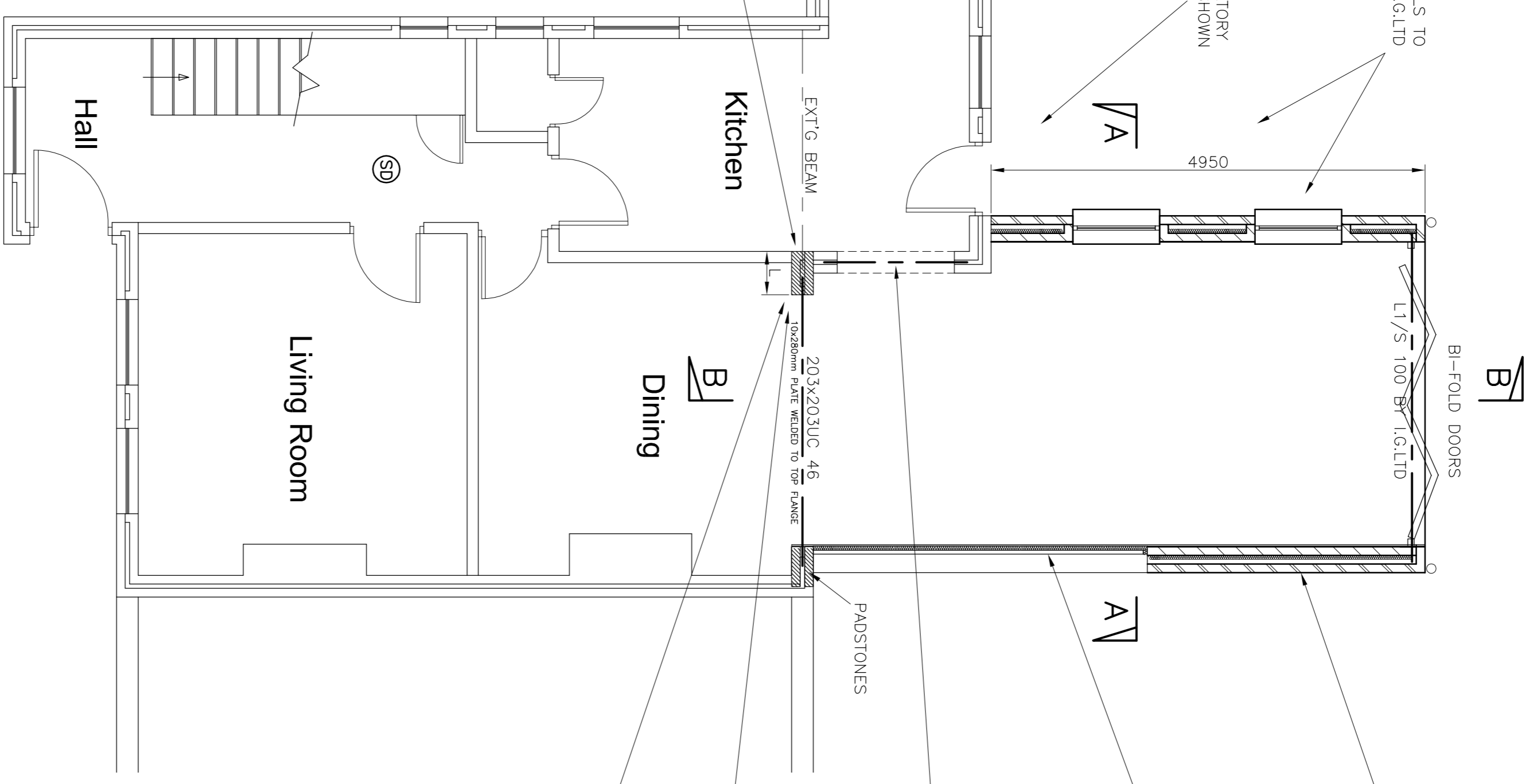
original GEL reviewed by

drawing number **FO21/003**

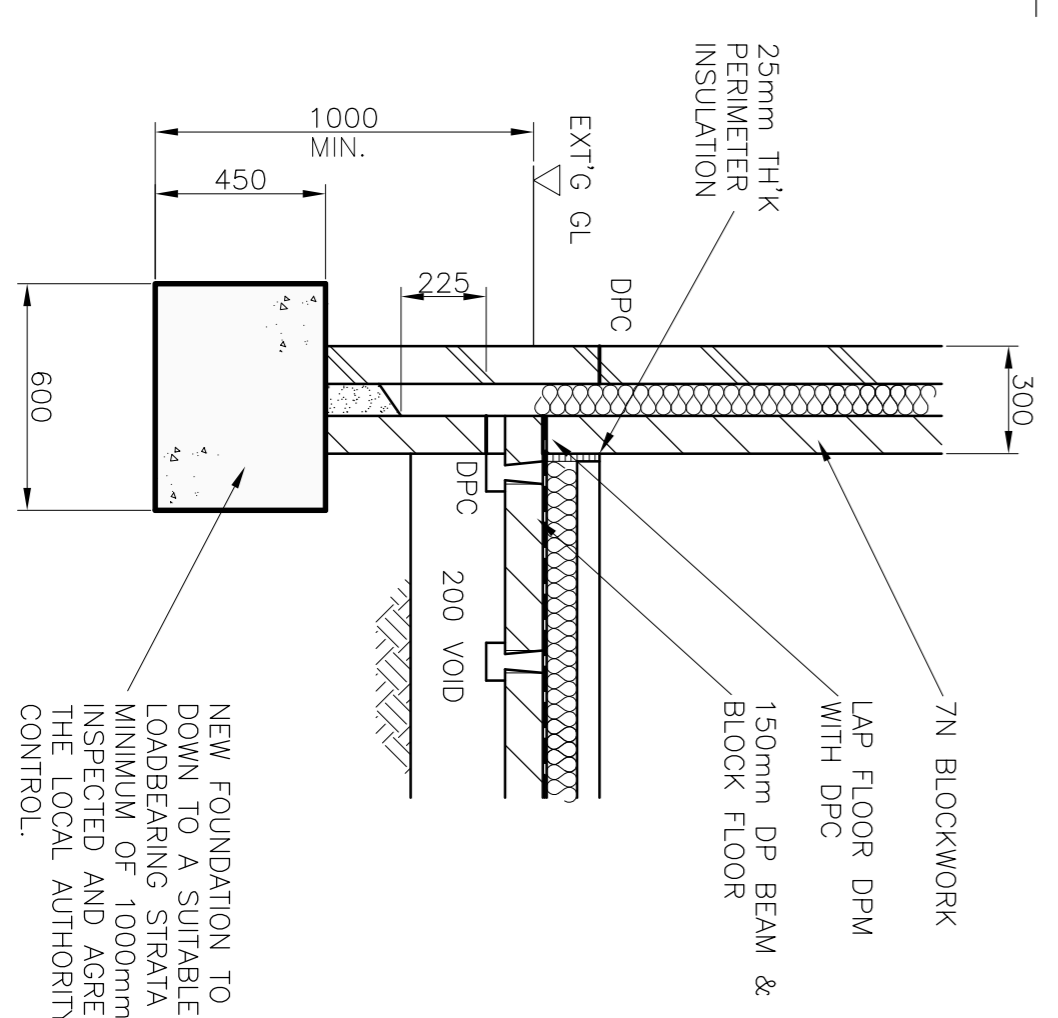
rev **B**

**PROPOSED GROUND FLOOR PLAN**

Scale 1:50



- NEW WINDOW LINTELS TO BE L1/S 100 BY 1.6 GLTD
- BI-FOLD DOORS
- 300mm CAVITY WALL TIED TO EXISTING PARTY WALL USING FURFIX WALL TIES STRIPS
- EXISTING 215mm THK EXTERNAL PARTY WALL TO BE UPGRADED USING 1200g VAPOUR BARRIER FIXED TO INTERNAL FACE USING 50x30 BATTENS AT 600mm CRS. INSULATION TO BE INSTALLED OVER BATTENS. TIED JOINTS, PLASTERBOARD AND SKIM FINISH.
- FORM NEW OPENING IN EXISTING WALL AND INSTALL L1/S LINTEL OVER. INFORM ENGINEER FOR REVISED DETAIL IF WALL CONSTRUCTION DIFFERS FROM WHAT'S BEEN ASSUMED
- ENSURE CAVITY FULLY CLOSED WITH ENGINEERING BRICKS.
- LENGTH OF PIER TO BE DETERMINED ON SITE FOLLOWING INVESTIGATIVE WORK BY THE CONTRACTOR (VEGETATIVE WORK BY (ENGINEERING BRICKS), L = 300mm (STANDARD FORWAL BRICKS), L = 1050mm LIGHTWEIGHT BLOCKS).
- CONTRACTOR TO ENSURE ALL EXISTING BLOCKWORK SUPPORTING NEW STEEL BEAMS ARE CONSTRUCTED IN SOLID BLOCKS. CONTACT ENGINEER/ LOCAL AUTHORITY IF IN ANY DOUBT.
- ALL CAVITIES TO BE CLOSED USING ENGINEERING BRICKS
- ALL CONCRETE PADSTONES TO BE 100x440x215mm DP



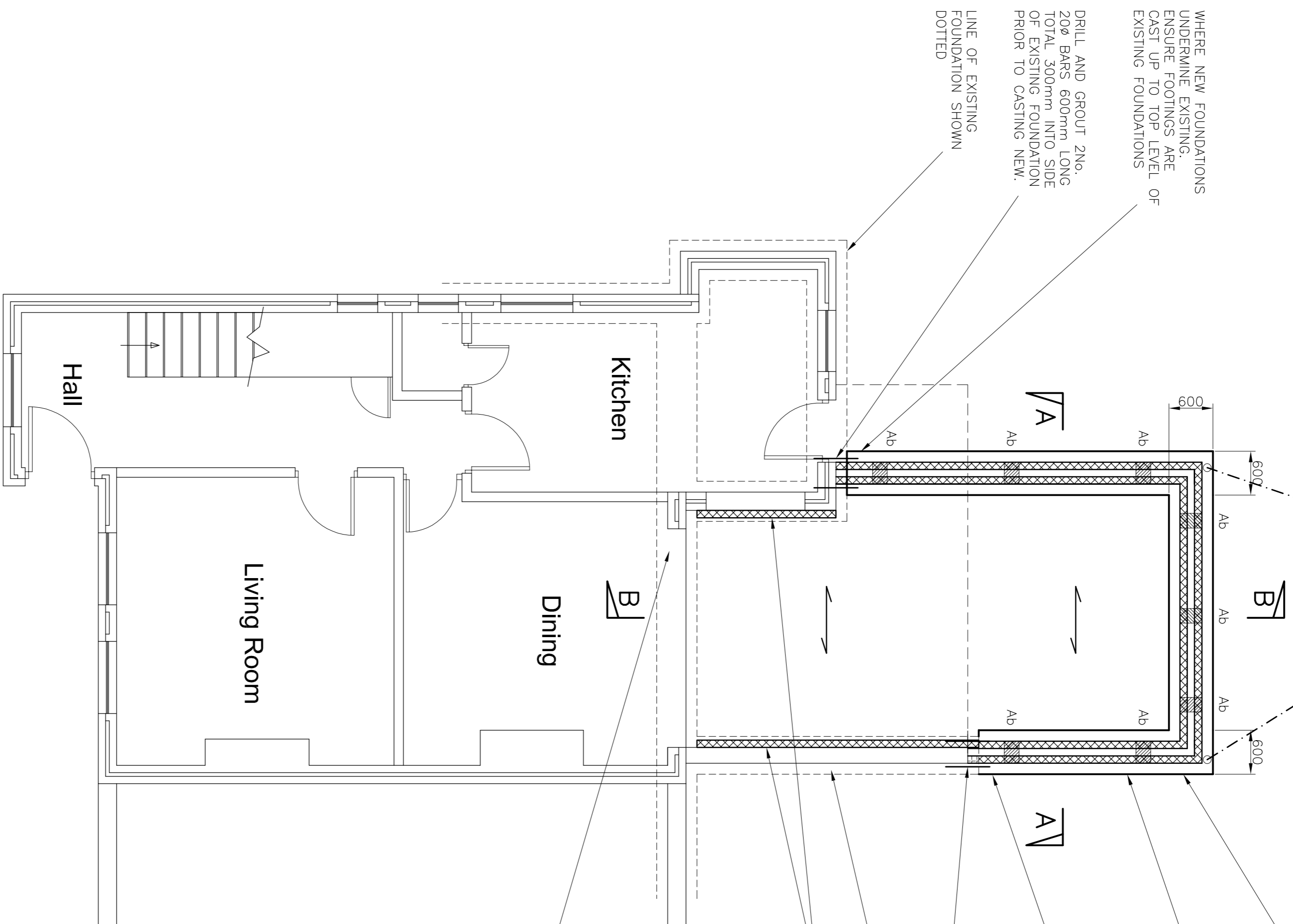
NEW FOUNDATION TO BE TAKEN DOWN TO SUITABLE LOADBEARING STRATA OR MINIMUM OF 1000mm AND INSPECTED AND AGREED BY THE LOCAL AUTHORITY BUILDING CONTROL.

**TYPICAL SECTION THROUGH FOUNDATION**

SCALE 1:20

**FOUNDATION LAYOUT**

Scale 1:50



- NEW FOUNDATIONS TO BE TAKEN DOWN TO FIRM SUBSTRATA. INFORM BUILDING CONTROL FOR INSPECTION PRIOR TO CASTING FOUNDATIONS.
- NEW 600mm WIDE x 200mm MIN STEEP FOOTING 1000mm MIN. DEPTH BELOW GROUND LEVEL.
- WHERE NEW FOUNDATIONS UNDERMINE EXISTING, ENSURE FOOTINGS ARE CAST UP TO TOP LEVEL OF EXISTING FOUNDATIONS
- DRILL AND GROUT 2No. 20Ø BARS 600mm LONG TOTAL 300mm INTO SIDE OF EXISTING FOUNDATION PRIOR TO CASTING NEW.
- EXISTING FOUNDATIONS TO BE EXPOSED TO EXISTING SOLID PARTY WALL AND INSPECTED BY THE BUILDING INSPECTOR.
- NEW BLOCKWORK SLEEPER WALL CONSTRUCTED OFF EXISTING FOUNDATION SUPPORTING BEAM AND BLOCK FLOOR. INSTALL DPM BETWEEN WALLS.
- CONTRACTOR TO EXPOSE EXISTING FOUNDATIONS SO THEY CAN BE CHECKED BY THE ENGINEER FOR ADEQUACY TO SUPPORT MASONRY PIER.
- FULL PIER SIZE CONCRETE PADSTONE INSTALLED BELOW STEEL BEAM

SURFACE WATER TO BE CONNECTED INTO NEW SOAKAWAY. SIZE TO BE DETERMINED ON SITE FOLLOWING PERCOLATION TEST. TO BE LOCATED MINIMUM 5.0m FROM EXTENSION

WHERE NEW FOUNDATIONS UNDERMINE EXISTING, ENSURE FOOTINGS ARE CAST UP TO TOP LEVEL OF EXISTING FOUNDATIONS

DRILL AND GROUT 2No. 20Ø BARS 600mm LONG TOTAL 300mm INTO SIDE OF EXISTING FOUNDATION PRIOR TO CASTING NEW.